

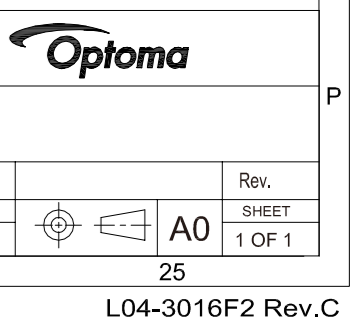
GENERAL NOTE  
 1.MASS: 21.0 Kg (No Lens)  
 2.OPERATING TEMPERATURE RANGE:  
 0°C~40°C @ 0~2500FT  
 0°C~35°C @ 2500~5000FT  
 0°C~30°C @ 5000~10000FT

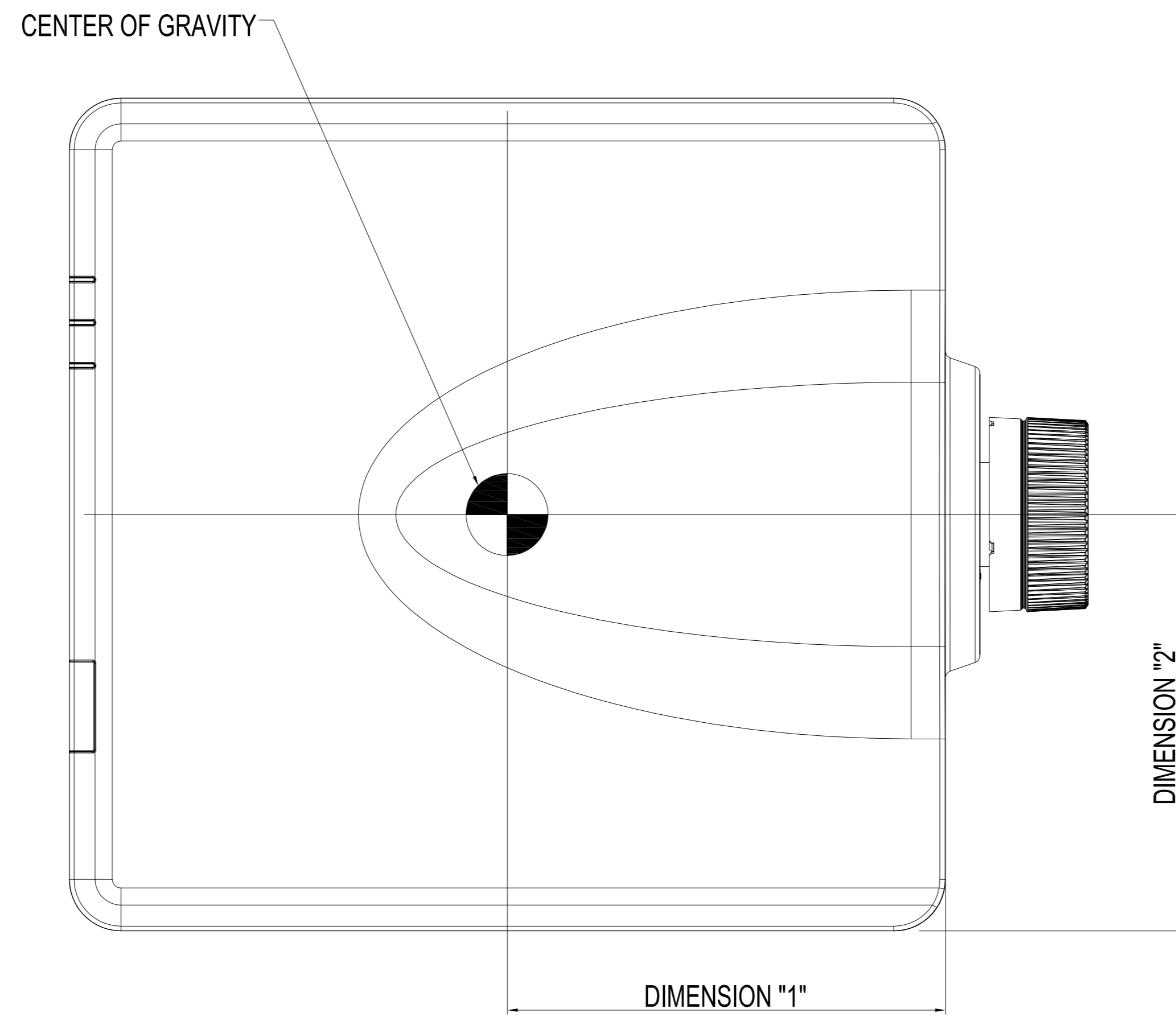
Rev.	Issue	Date	Description	Rev.	Issue	Date	Description

1:4	±0.1	300-100	±0.8			
6:30	±0.2	100-2000	±1.2			
X	30-100	±0.3	2000	±2.0		
DR. NO.	100-3000	±0.5	ANGLE	1:0.5	25	mm

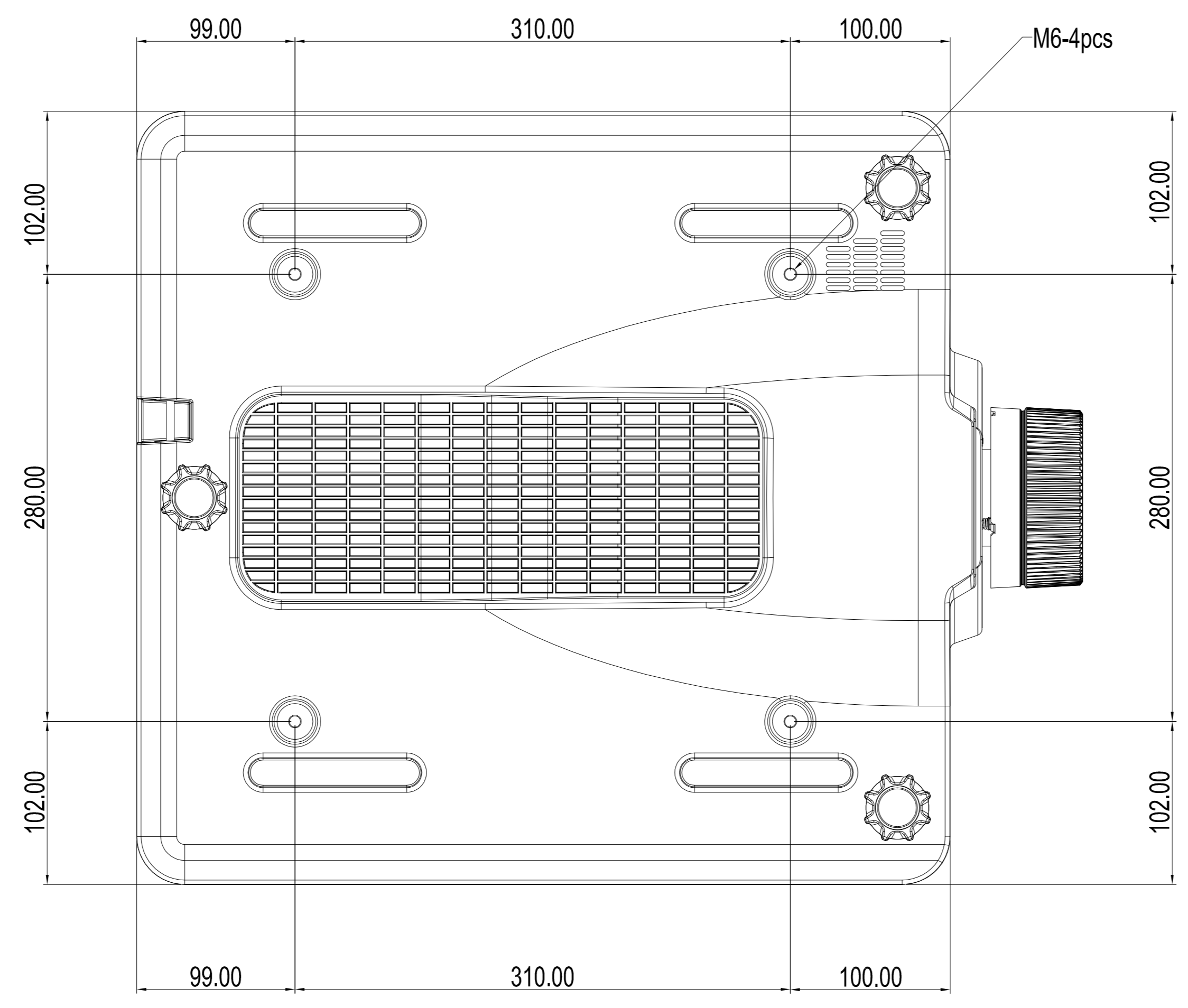
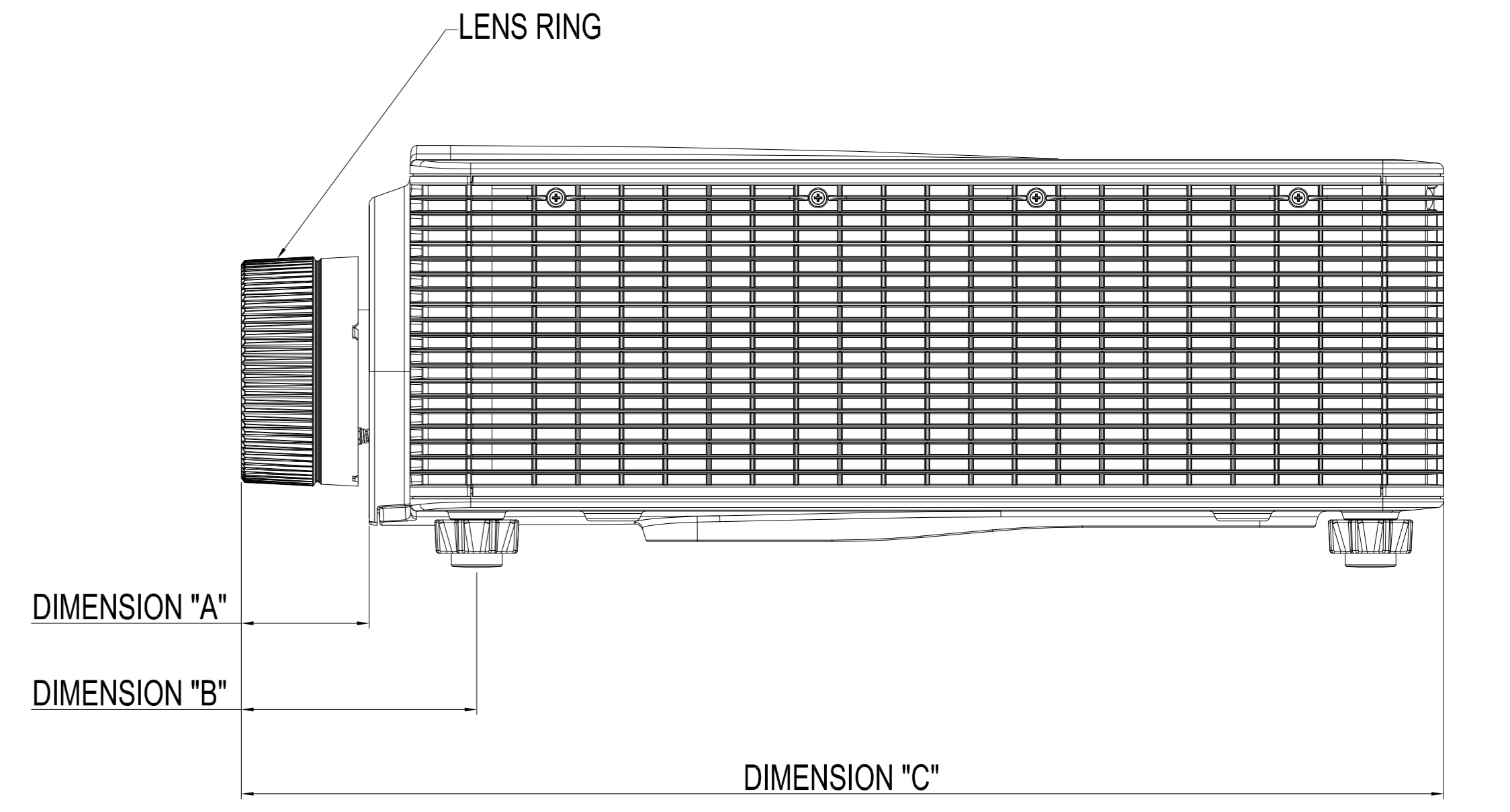
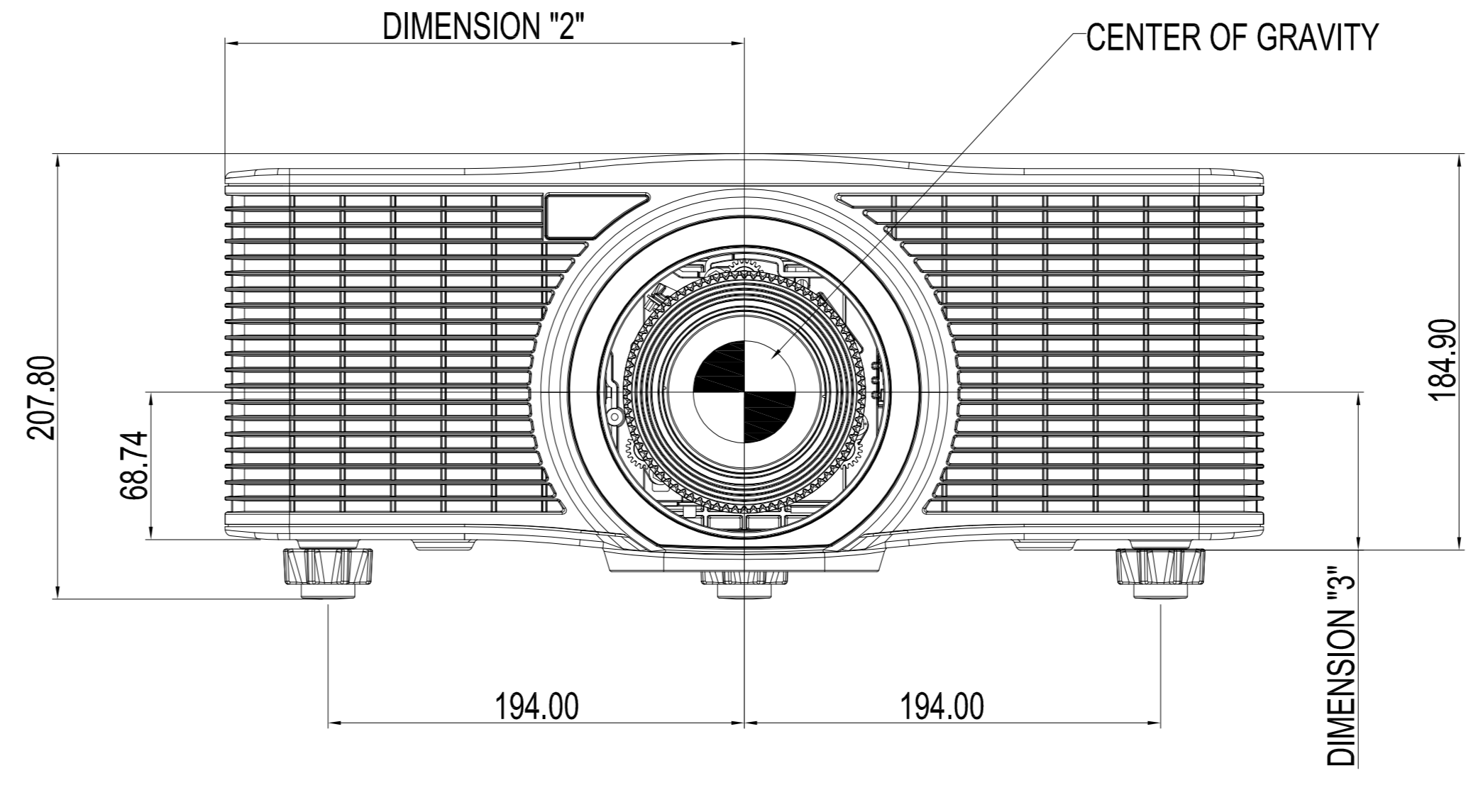
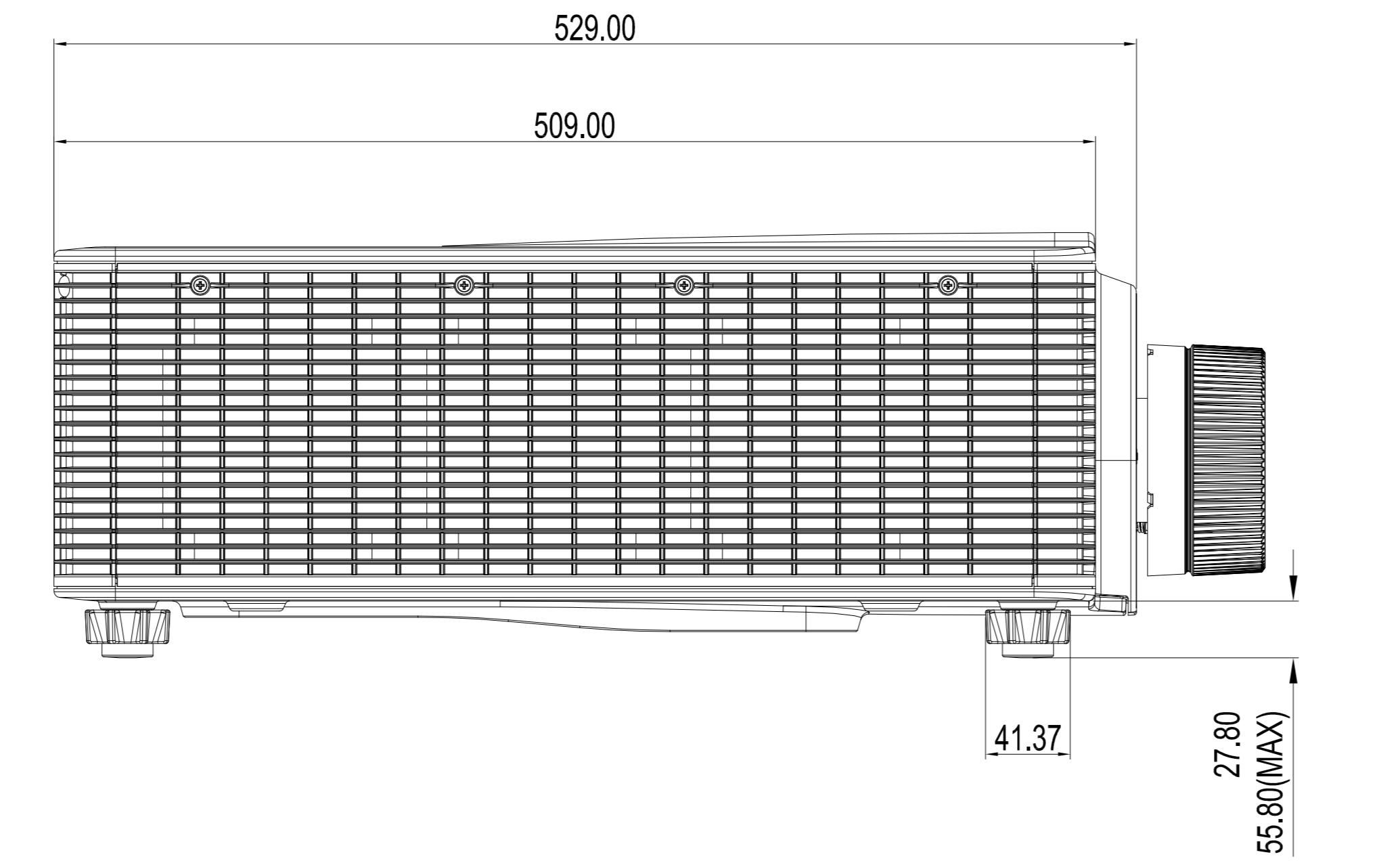
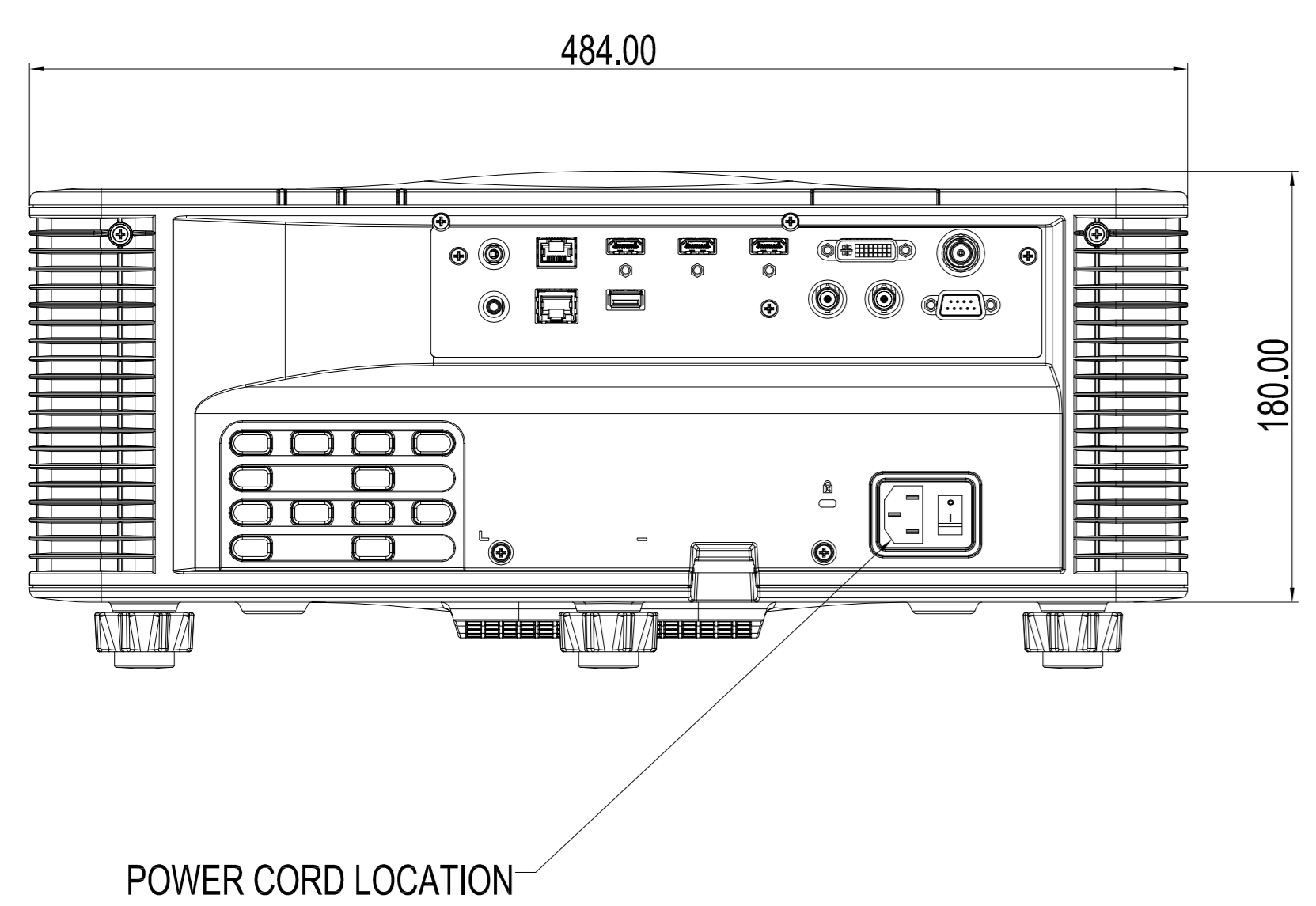
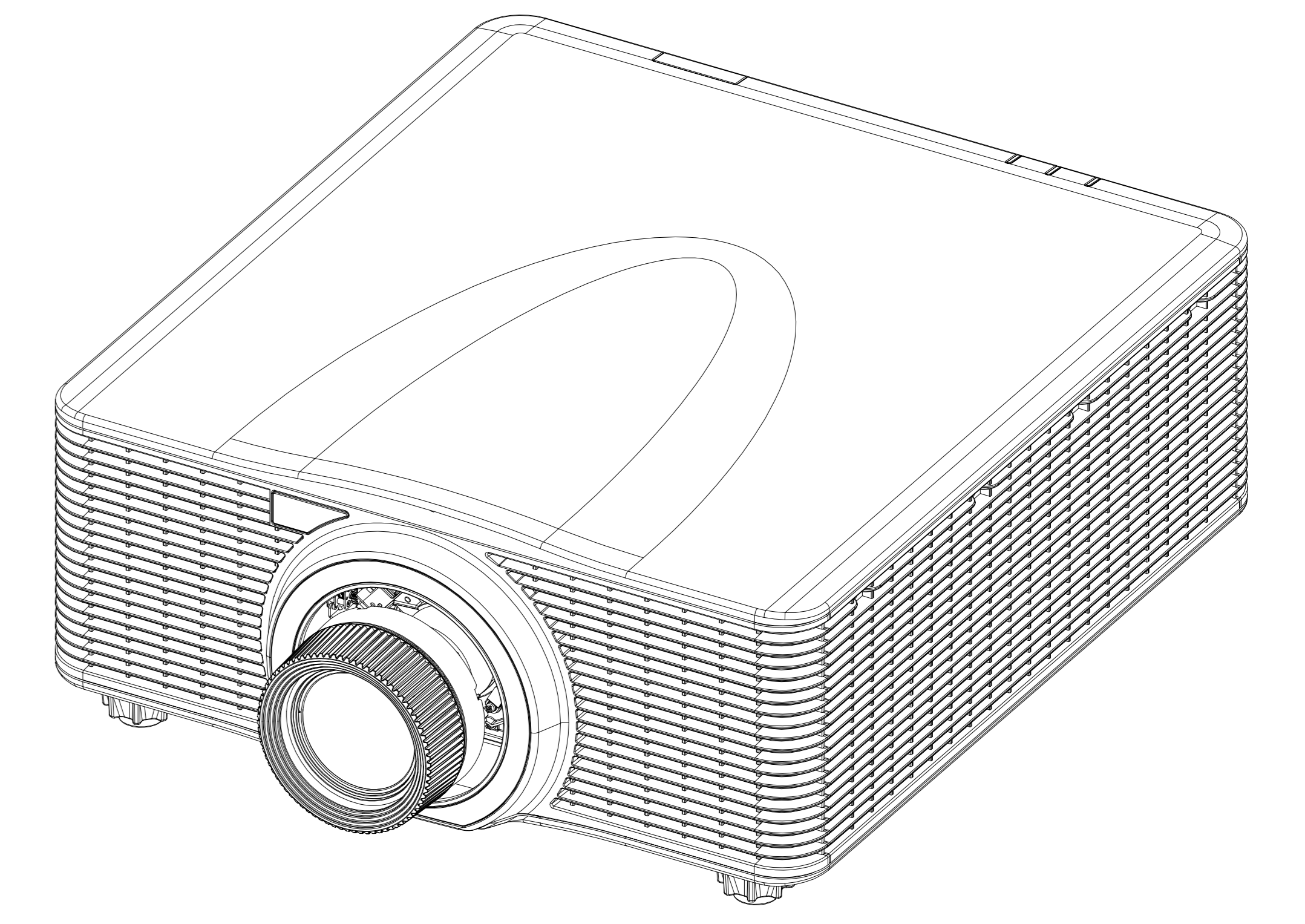
  



CENTER OF GRAVITY

LENS TYPE	DESCRIPTION	DIMENSION'1'	DIMENSION'2'	DIMENSION'3'
BX-CAA01	Optional Lens (TR:0.95~1.22)	241	222	74
BX-CAA03	Optional Lens (TR:1.52~2.89)	241	222	74
BX-CAA06	Standard Lens (TR:1.22~1.52)	241	222	74
BX-CTA13	Optional Lens (TR:2.9~5.5)	241	222	74
BX-CTA15	Optional Lens (TR:0.75~0.95)	241	222	74
BX-CTA16	Optional Lens (TR:0.361_under 120")	223	223	76
BX-CTA17	Optional Lens (TR:0.65~0.75)	241	222	74
WITHOUT PROJECTION LENS		243	222	73

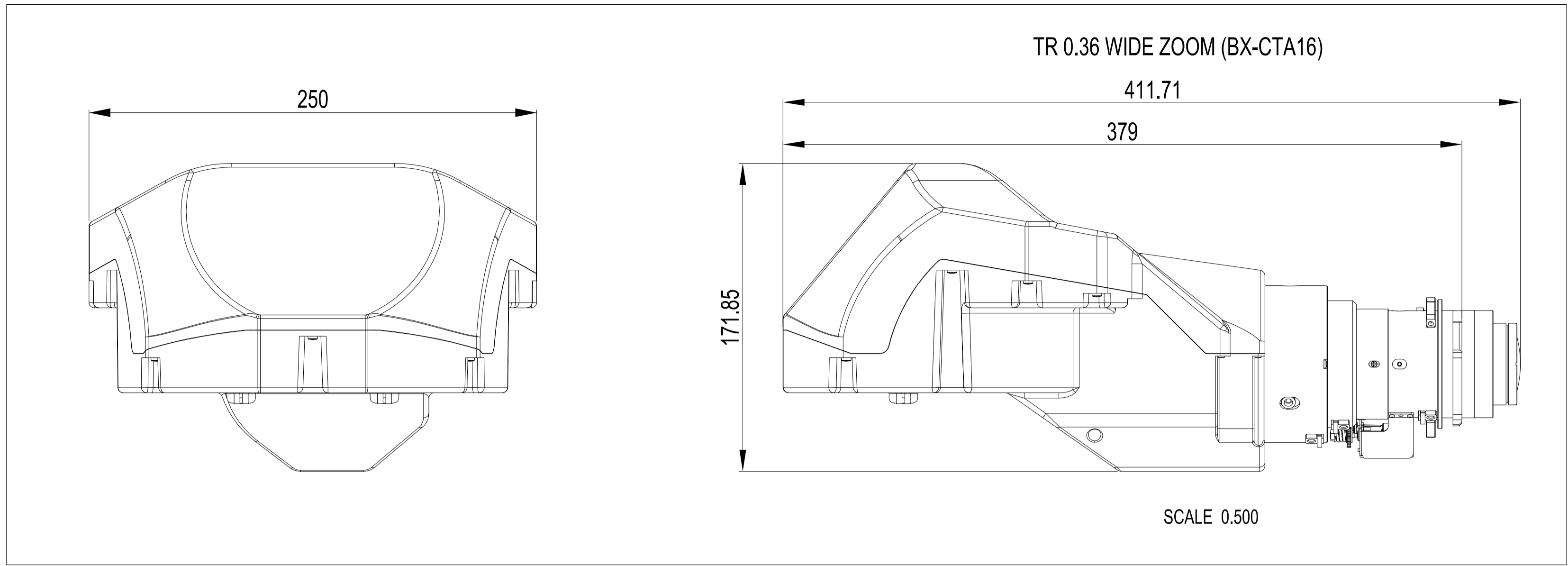


PROJECTOR DIMENSIONS WITH PROJECTION LENS

LENS TYPE	DESCRIPTION	DIMENSION'A'	DIMENSION'B'	DIMENSION'C'	LENS DIA	LENS RING
BX-CAA01	Optional Lens (TR:0.95~1.22)	43.3	96.3	572.3	Ø86	YES
BX-CAA03	Optional Lens (TR:1.52~2.89)	63.1	116.1	592.1	Ø86	YES
BX-CAA06	Standard Lens (TR:1.22~1.52)	62.6	115.6	591.6	Ø89	YES
BX-CTA13	Optional Lens (TR:2.9~5.5)	90.8	143.8	619.8	Ø86	YES
BX-CTA15	Optional Lens (TR:0.75~0.95)	50.7	103.7	579.7	Ø104	YES
BX-CTA16	Optional Lens (TR:0.361_under 120")	297.2	350.2	826.2	250	N/A
BX-CTA17	Optional Lens (TR:0.65~0.75)	84.8	137.8	613.8	Ø146	N/A

GENERAL NOTE  
 1.MASS: 21.0 Kg (No Lens)  
 2.OPERATING TEMPERATURE RANGE:  
 0°C~40°C @ 0~2500FT  
 0°C~35°C @ 2500~5000FT  
 0°C~30°C @ 5000~10000FT

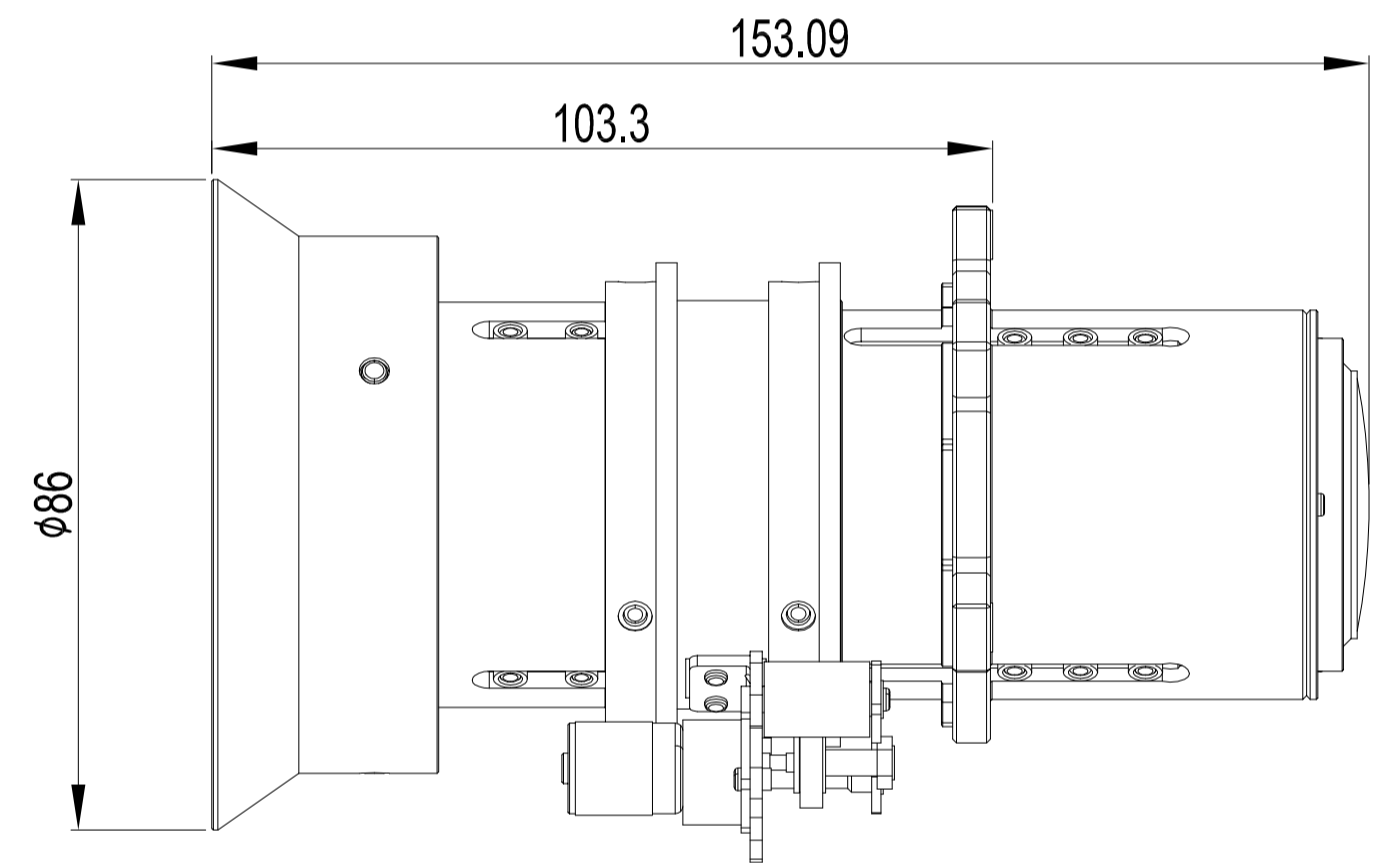
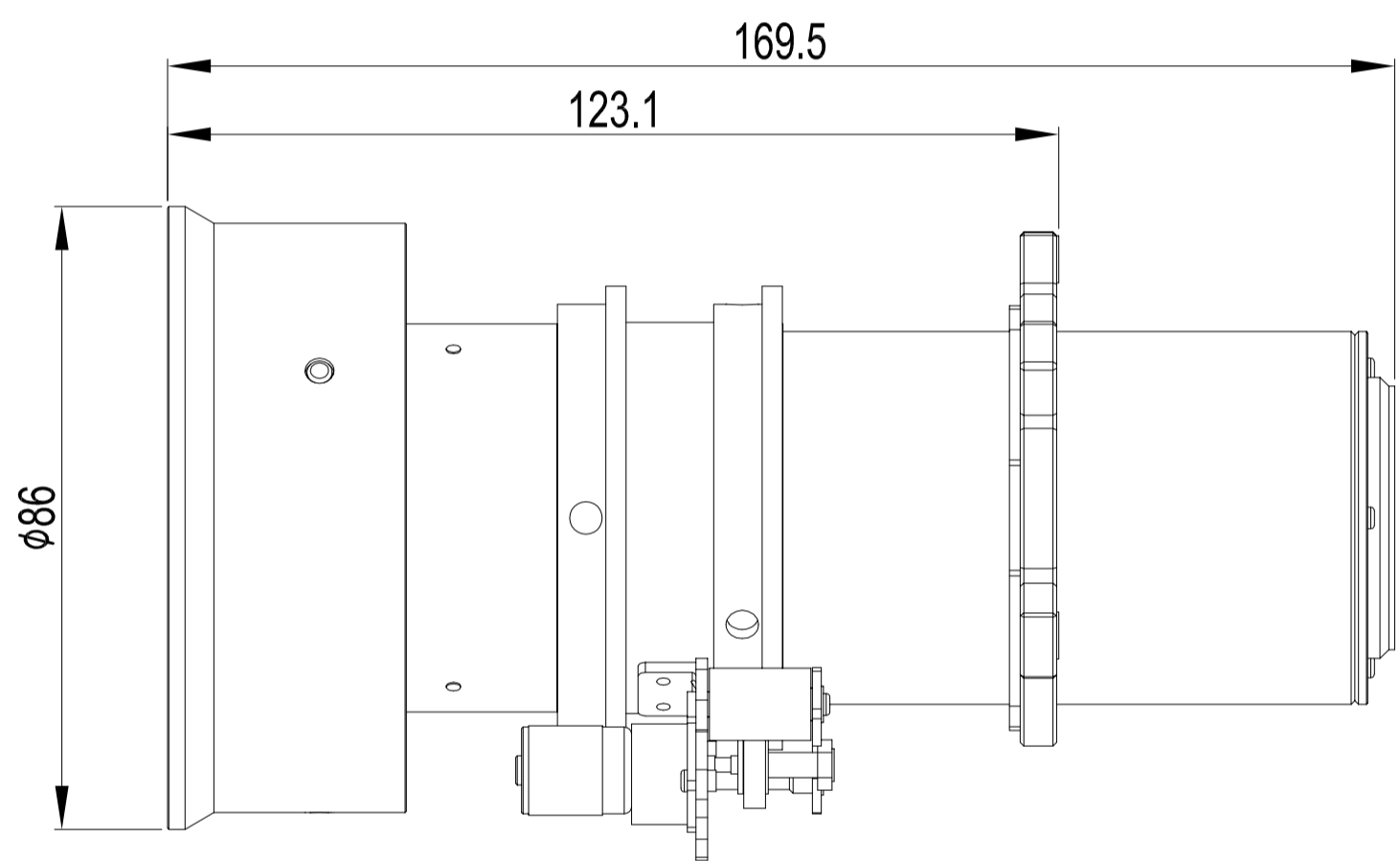
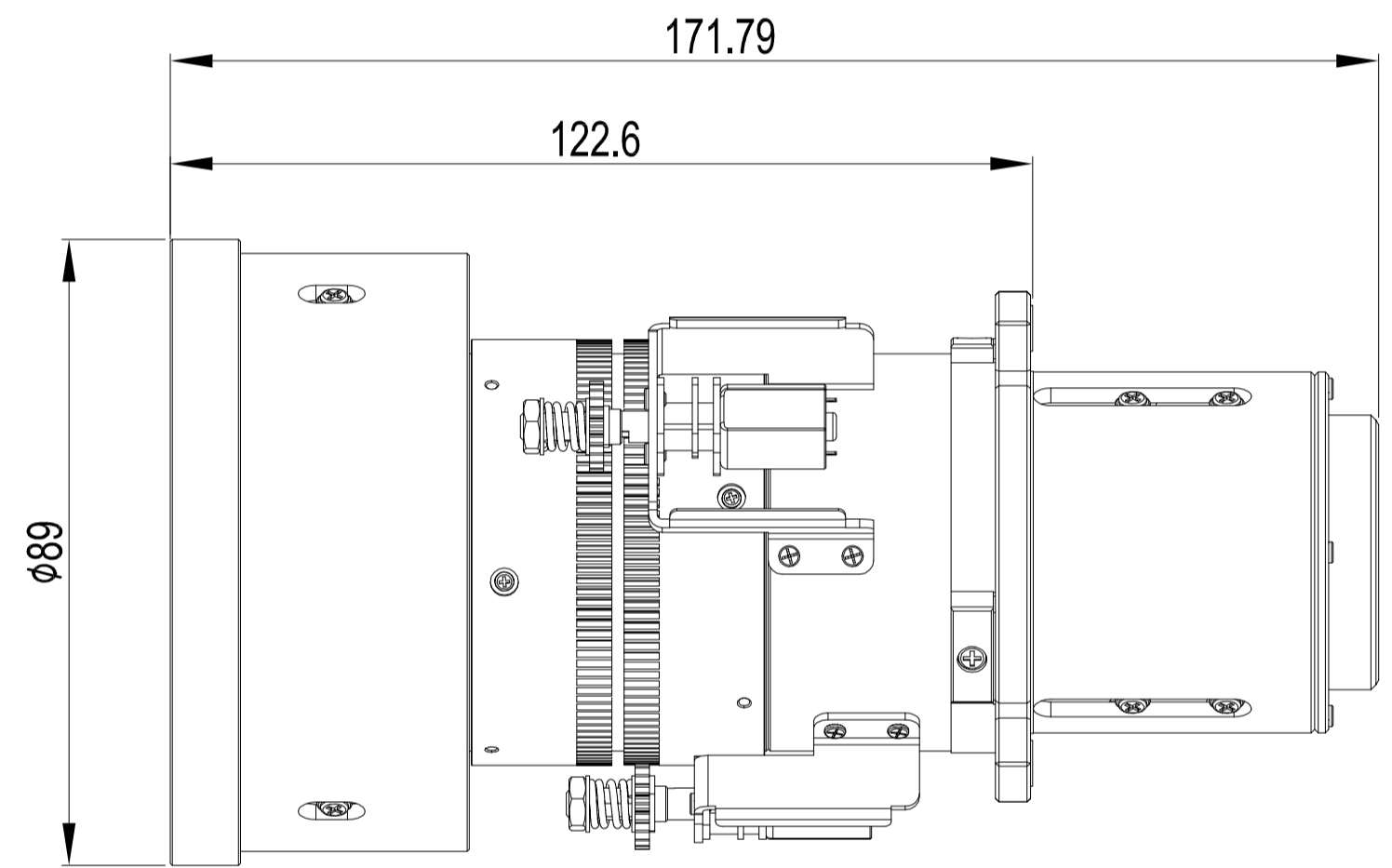




TR 1.22 - 1.52 STANDARD ZOOM (BX-CAA06)

TR 1.52 - 2.92 LONG ZOOM (BX-CAA03)

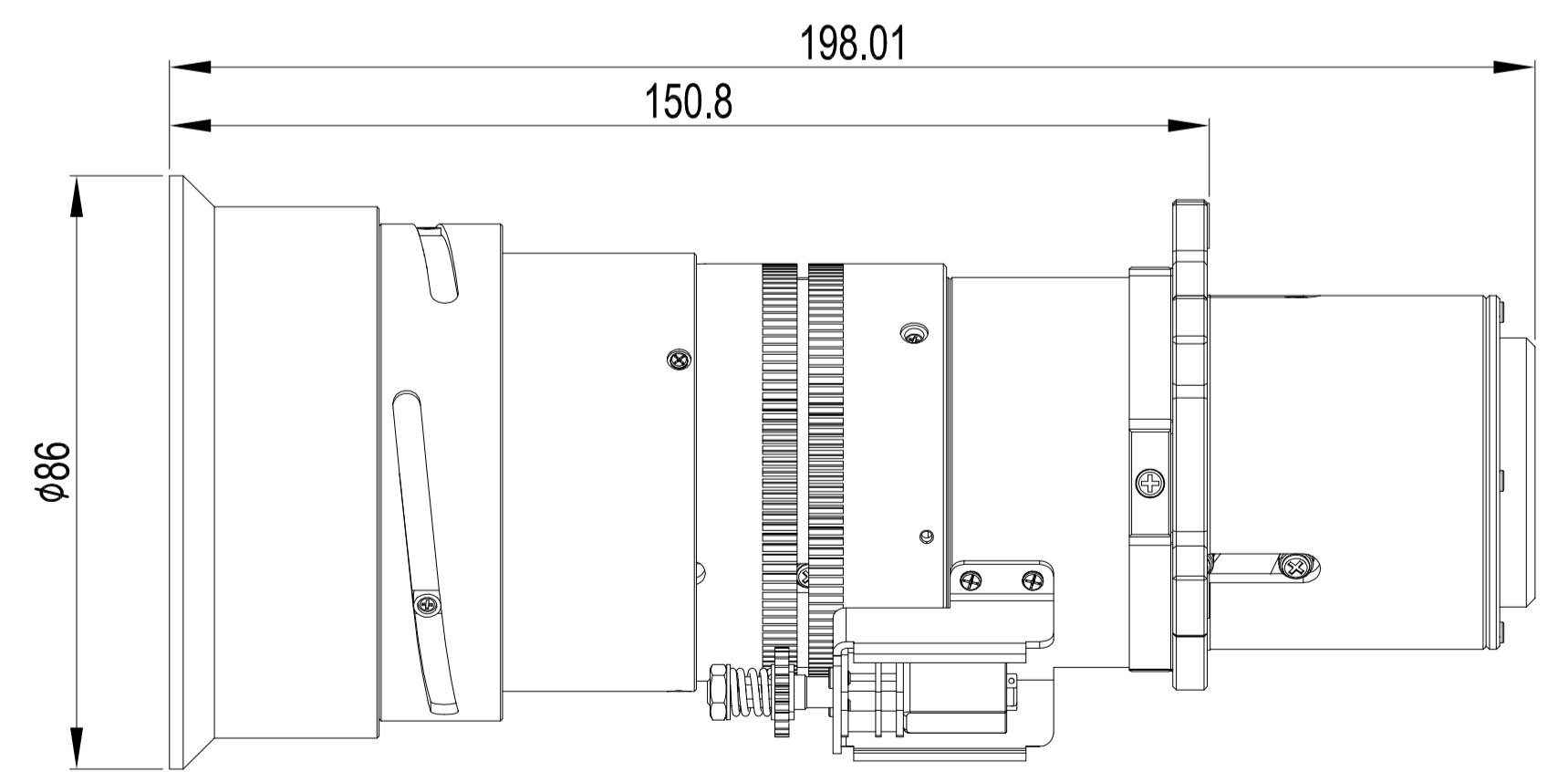
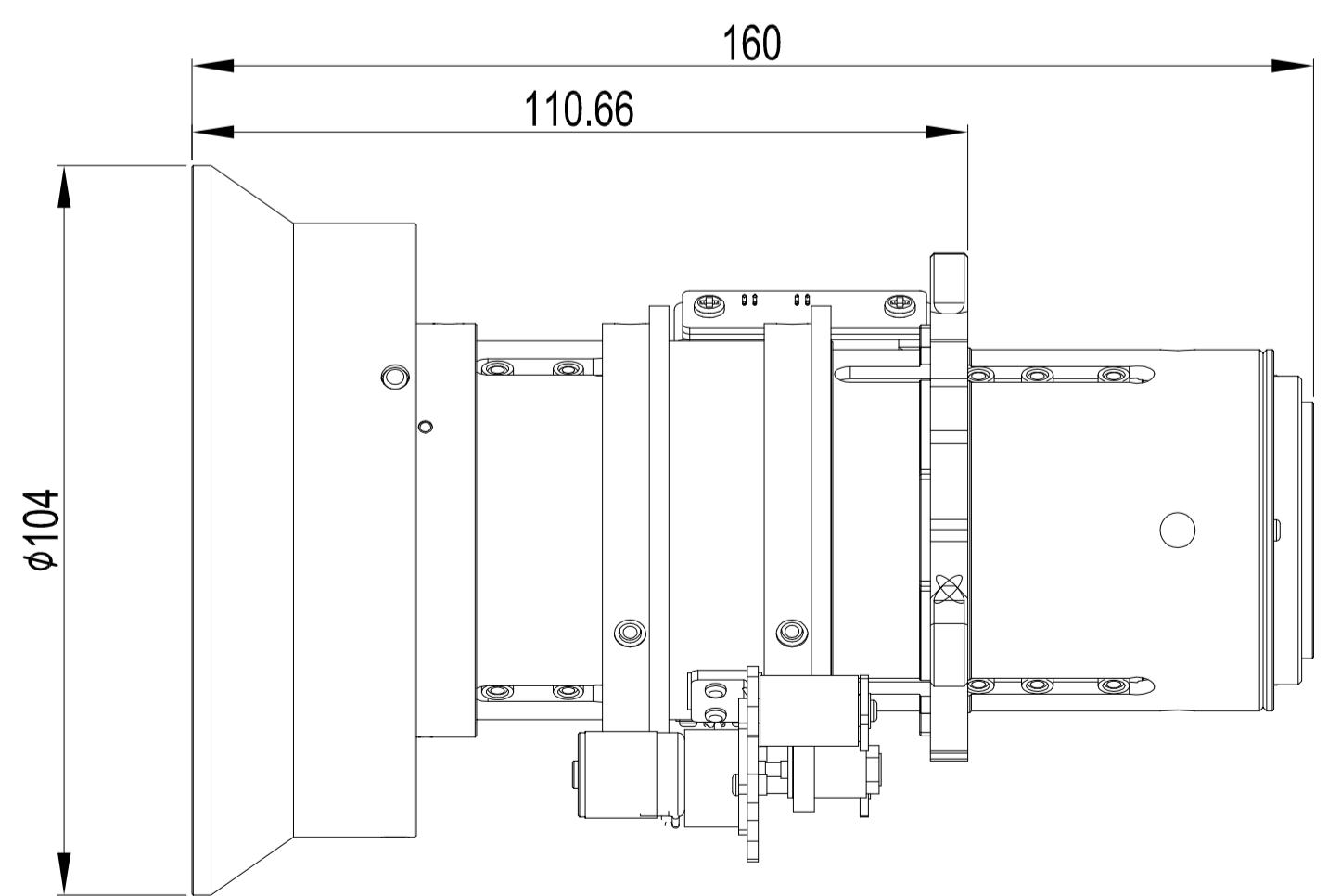
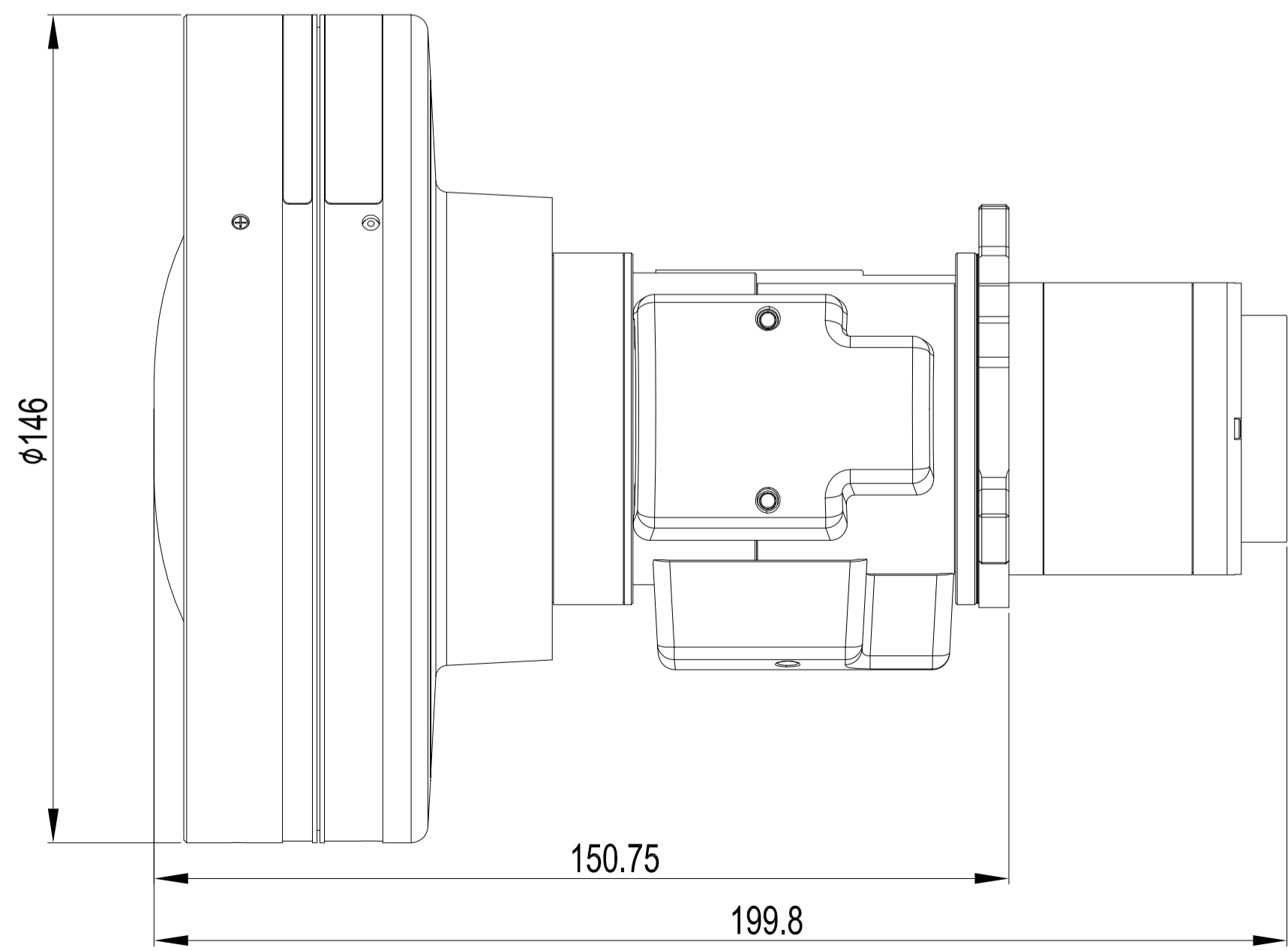
TR 0.95 - 1.22 WIDE ZOOM (BX-CAA01)



TR 0.65 - 0.75 WIDE ZOOM (BX-CTA17)

TR 0.75 - 0.95 WIDE ZOOM (BX-CTA15)

TR 2.90 - 5.50 LONG ZOOM (BX-CTA13)



DESCRIPTION	GROSS WEIGHT	NET WEIGHT
Optional Lens BX-CAA01 (TR: 0.95-1.22)	0.9 kg	0.6 kg
Optional Lens BX-CAA03 (TR: 1.52-2.92)	1.16 kg	0.8 kg
Standard Lens BX-CAA06 (TR: 1.22-1.52)	1.32 kg	0.9 kg
Optional Lens BX-CTA13 (TR: 2.90-5.50)	1.4 kg	1.0 kg
Optional Lens BX-CTA15 (TR: 0.75-0.95)	1.18 kg	0.7 kg
Optional Lens BX-CTA16 (TR: 0.36)	7.95 kg	2.7 kg
Optional Lens BX-CTA17 (TR: 0.65-0.75)	1.8 kg	1.17 kg

Rev.	Initiator	Date	Description	ECR NO.	100-300	±0.5	ANGLE	±0.5°	1:1	mm	UNIT	MATERIAL	PART NO.	FINISH	NAME	Rev.	SHEET
															Optoma		1 OF 1