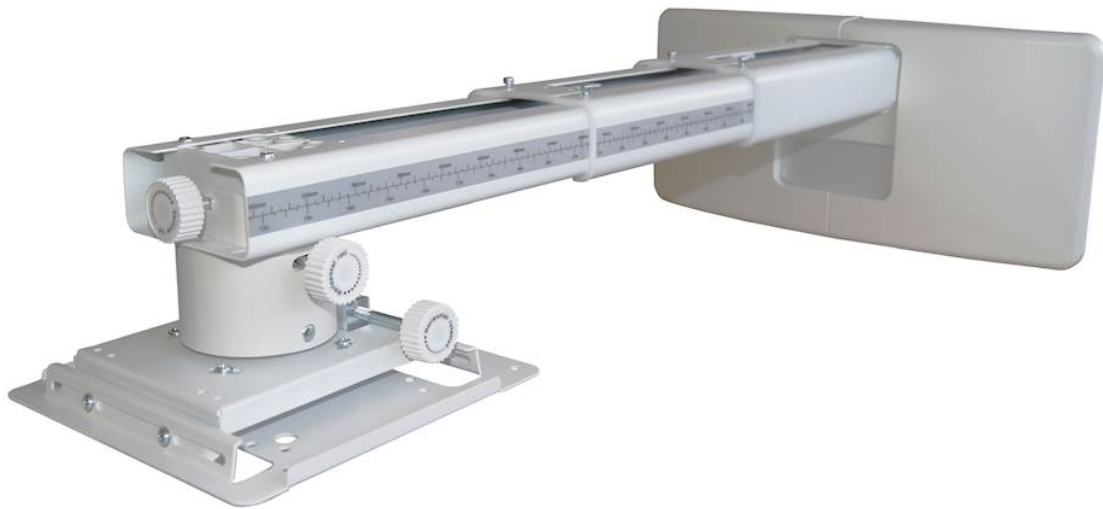


# OWM3000

Ultra short throw projector mount

---



- **Compact telescopic arm**
- **Easy to install – adjustable**
- **Cable management**
- **Compatible with stud walls**

Designed for Optoma ultra short throw projectors this easy to install compact mount features a high quality adjustable arm and mounting plate. Perfect for installation with a whiteboard in education or corporate environments.

## Specifications

EAN: 5055387645530, Colour: White

---

### General

<b>Dimensions (W x D x H) mm</b>	448 x 407 x 210
<b>Pitch</b>	5°
<b>Roll</b>	5°
<b>Yaw</b>	5°
<b>Adjustable</b>	+/-30mm horizontal shift, +/-40mm vertical shift
<b>In the box</b>	User manual Accessory bag (inc screws, washers, extension arms and Allen keys)
<b>Extension range</b>	407 - 822mm
<b>Net weight</b>	5 kg
<b>Gross weight</b>	6 kg

---

